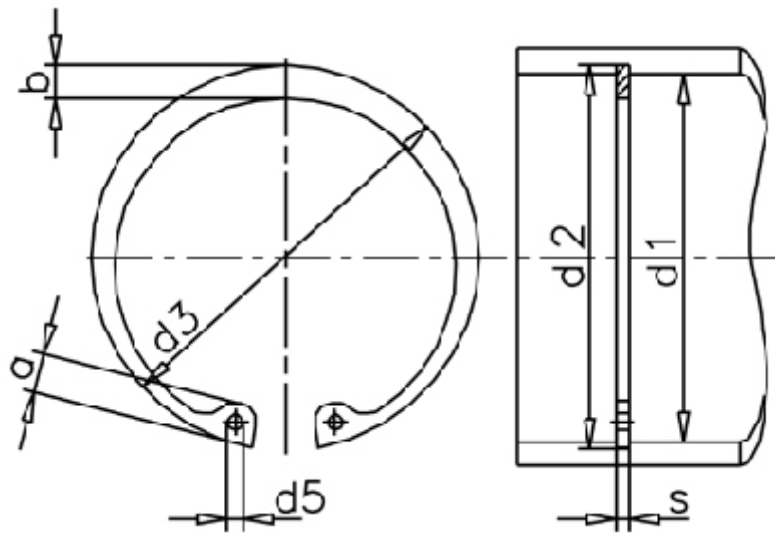


Article number: 0102232

Description: Retaining ring J540 DIN472
Spring steel

Measures



a max	=	FN kN	= 2004.00	t	= 7.00
AN mm ²	= 12029.0	FRg kN	= 148.0	tol	= +1,00
b	= 26.0	FR kN	= 1738.0	tol	= +3,00-1,50
d1	= 540	g	= 7.0	tol	= -0.15
d2	= 554.0	K kN-mm	= 3981.0	Tong	= ZGJ-5
d3	= 565.00	m min	= 8.20	Weight kg/1000	= 2380.00
d5 min	= 6.0	Nominal drive	= 21.0		
Description = J 540		s	= 8.00		